



BREY-KRAUSE MANUFACTURING
 1209 W. LEHIGH ST., BETHLEHEM, PA 18018
 PHONE: 610-867-1401 FAX: 610-866-1433
 www.breykrause.com
 Brey-Krause Mfg. reserves the right to make changes in design and/or materials without formal notice and without incurring obligation.

TECHNICAL DATA SHEET

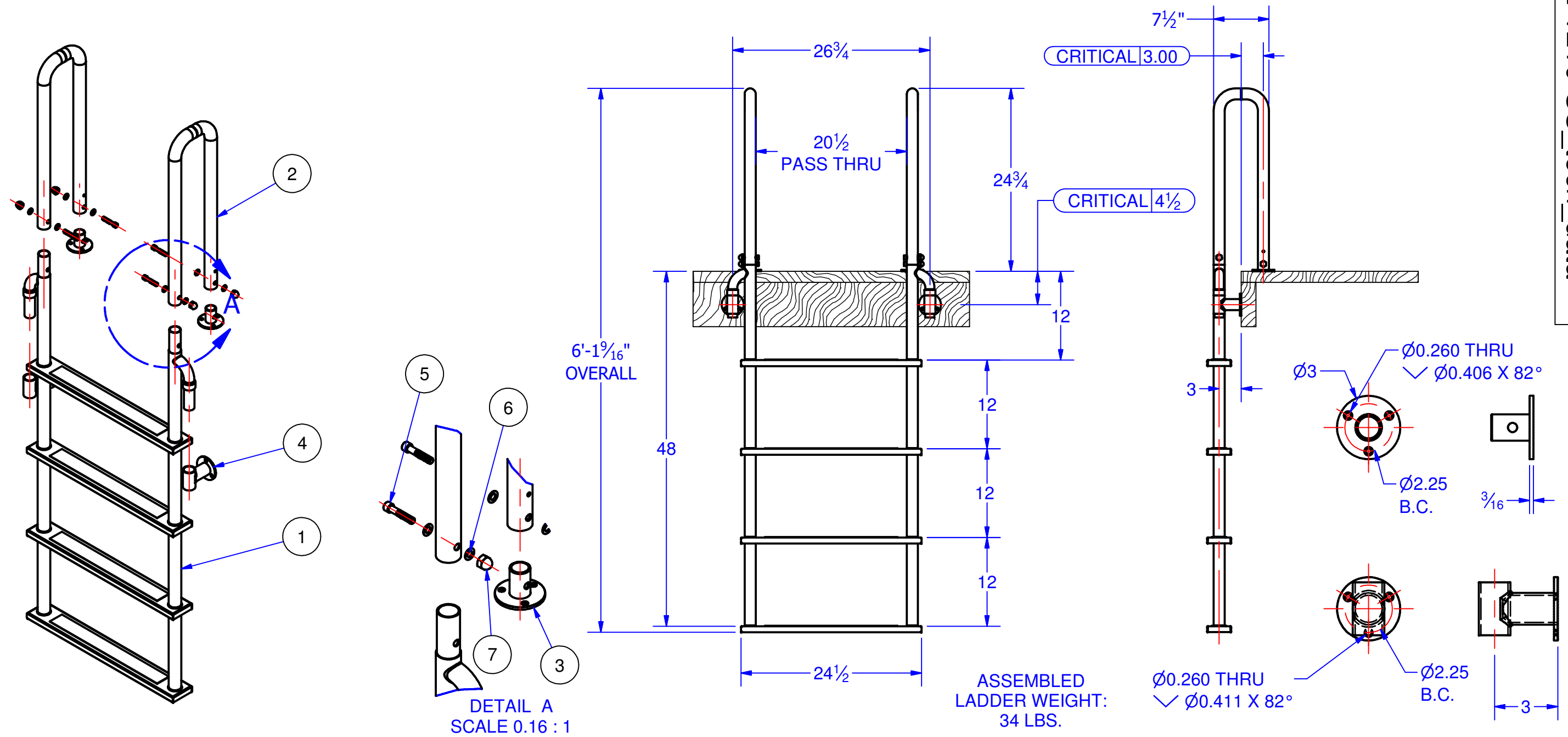
L-1210-SS

STAINLESS STEEL DOCK LADDER (4) STEP
 FIXED FRONT MOUNT, HANDLES 3" DEEP

© BREY-KRAUSE MFG. 2016

DATE:	4/13/2016	B
TOLERANCES (UNLESS OTHERWISE SPECIFIED)		
FRACTIONAL : ± 1/8"	X.XX : ± 0.010	
∠ : ± 1°	X.XXX : ± 0.005	
	X.XXXX : ±	

FILE: L-1210-SS_tech_data



PARTS LIST

ITEM	QTY	PART NUMBER	DESCRIPTION
1	1	L-1204-SS	4 STEP LOWER ASSEMBLY
2	2	L-1210-03-SS	3" UPPER RAIL ASSEMBLY
3	2	L-1200-01-SS	UPPER MOUNTING FLANGE
4	2	L-1201-01-SS	FRONT SLIP SUPPORT
5	4	M-5615-30	SS SHCS 3/8-16 X1-7/8"
6	8	M-8048-99	SS WASHER 0.390 X 5/8"
7	4	M-5527-99	SS ACORN NUT, 3/8-16

CONSTRUCTION:

THE BREY-KRAUSE REMOVABLE DOCK LADDER IS FABRICATED FROM Ø1¹/₂" 16 GAUGE SATIN FINISH 304 STAINLESS STEEL TUBING. THE LADDER MOUNTS TO THE DOCK USING Ø3", 7 GAUGE FLANGES WITH (3) COUNTERSUNK MOUNTING HOLES. THE SLIP SUPPORT MOUNTING FLANGES LOCATE THE VERTICAL CENTERLINE OF THE LADDER AT 3" FROM THE FRONT FACE OF THE DOCK. THE (4) 3" WIDE STEPS ARE 12" APART AND ARE TOPPED WITH ANTI-SLIP MATERIAL. HARDWARE TO MOUNT THE LADDER TO THE DOCK IS SUPPLIED BY THE USER.

INSTALLATION:

1. SCREW THE (2) MOUNTING FLANGES TO THE TOP SURFACE OF THE DOCK USING THE 3" DIMENSION FROM THE FRONT DOCK MOUNTING SURFACE.
2. BOLT THE UPPER SIDE RAILS TO THE LOWER LADDER ASSEMBLY AND THEN BOLT THE LADDER TO THE MOUNTED UPPER FLANGES.
3. SLIDE THE SLIP SUPPORT MOUNTING FLANGES ONTO THE LOWER LADDER MOUNTING POSTS AND SCREW THEM TO THE FRONT FACE OF THE DOCK, HOLDING THE 4¹/₂" DIMENSION TO MAINTAIN THE LADDER PLUMB. (NOTE THE CRITICAL MOUNTING DIMENSIONS IN THE FRONT & SIDE VIEW.)